

QPD4-13750-14500-20

4-Way, 13.75~14.5GHz

Features:
 * Small Size
 * Low Insertion Loss

Applications:
 * Amplifiers
 * Mixers
 * Antennas
 * Laboratory Test

Electrical

Frequency:	13.75~14.5GHz
Insertion Loss:	1.0dB max.
Input VSWR:	1.4 max.
Output VSWR:	1.3 max.
Isolation:	18dB min.
Amplitude Balance:	0.4dB max.
Phase Balance:	±5°
Impedance:	50Ω
Power @SUM Port:	20W max. as divider 1W max. as combiner

Mechanical

Mounting:	4-Φ2.8mm through-hole (SMA)
Mounting:	4-Φ3.2mm through-hole (N)

Environmental

Operation Temperature: -45~+85°C

How To Order

QPD4-13750-14500-20-Y

Y: Connector type

Connector naming rules:

S - SMA Female (Outline A)

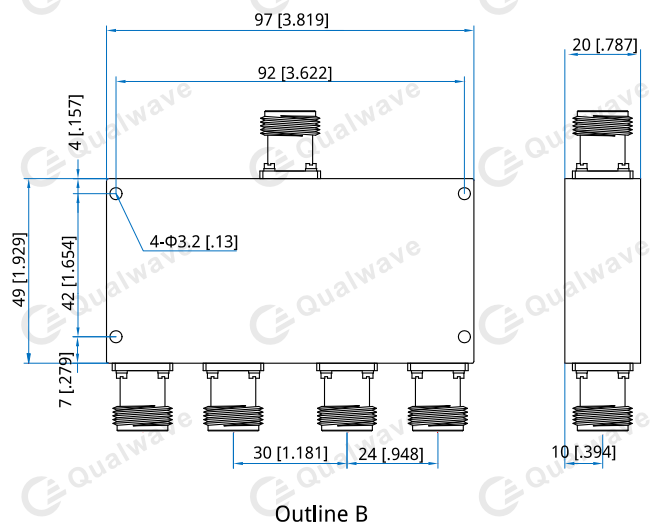
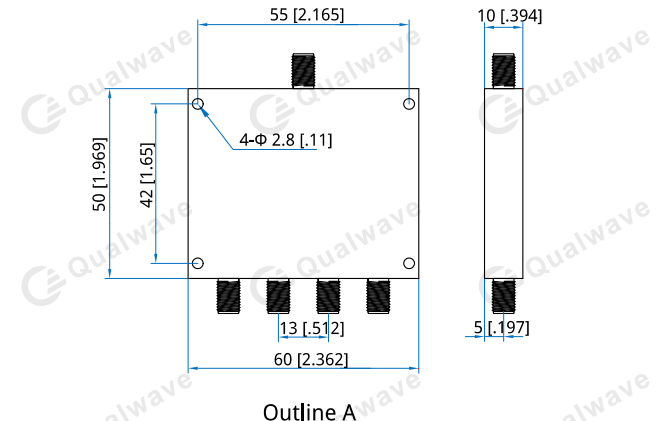
N - N Female (Outline B)

Examples:

To order a 4-way power divider, 13.75~14.5GHz, 20W, N female, specify QPD4-13750-14500-20-N.

Customization is available upon request.

Outline Drawings



Unit: mm [in]
 Tolerance: ±0.5mm [±0.02in]