

## QPD4-1000-2000-30

### 4-Way, 1~2GHz

Features:  
 \* Small Size  
 \* Low Insertion Loss

Applications:  
 \* Amplifiers  
 \* Mixers  
 \* Antennas  
 \* Laboratory Test

#### Electrical

Frequency:	1~2GHz
Insertion Loss:	0.6dB max. (SMA) 0.8dB max. (N)
Input VSWR:	1.3 max.
Output VSWR:	1.2 max.
Isolation:	25dB min. (SMA) 20dB min. (N)
Amplitude Balance:	0.3dB max.
Phase Balance:	±3°
Impedance:	50Ω
Power @SUM Port:	30W max. as divider 2W max. as combiner

#### Mechanical

Mounting:	4-Φ2.8mm through-hole (SMA) 4-Φ3.2mm through-hole (N)
-----------	--

#### Environmental

Operation Temperature: -35~+75°C

#### How To Order

**QPD4-1000-2000-30-Y**

Y: Connector type

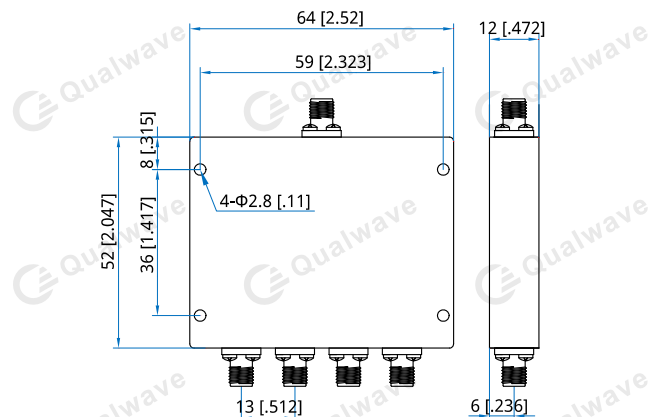
Connector naming rules:  
 S - SMA Female (Outline A)  
 N - N Female (Outline B)

#### Examples:

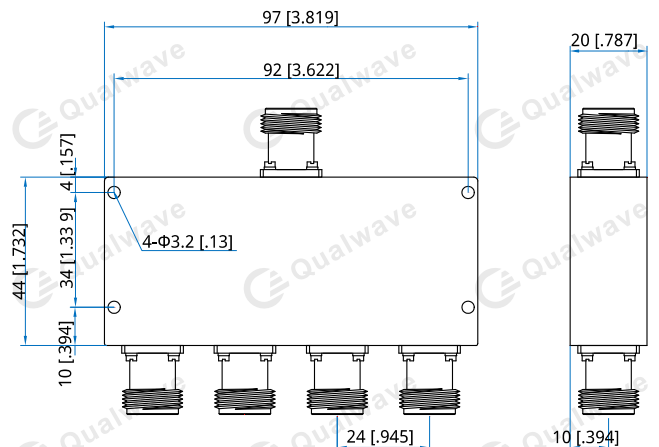
To order a 4-way power divider, 1~2GHz, 30W, N female, specify QPD4-1000-2000-30-N.

Customization is available upon request.

#### Outline Drawings



Outline A



Outline B

Unit: mm [in]  
 Tolerance: ±0.5mm [±0.02in]