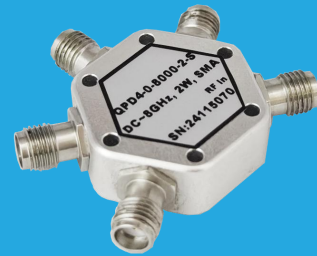


QPD4-0-8000-2

4-Way, DC~8GHz, 2W



Features:
 * Small Size
 * Low Insertion Loss

Applications:
 * Amplifiers
 * Mixers
 * Antennas
 * Laboratory Test

Electrical

Frequency:	DC~8GHz
Insertion Loss ^{*1} :	1.2dB max.
Input VSWR:	1.35 max.
Output VSWR:	1.35 max.
Isolation:	12dB typ.
Amplitude Balance:	±0.5dB
Phase Balance:	±25°
Impedance:	50Ω
Power @SUM Port:	2W as divider

[1] Excluding theoretical loss 12dB.

Mechanical

Connectors:	SMA Female N Female
Mounting:	6-Φ2.2mm through-hole

Environmental

Operation Temperature: -35~+75°C

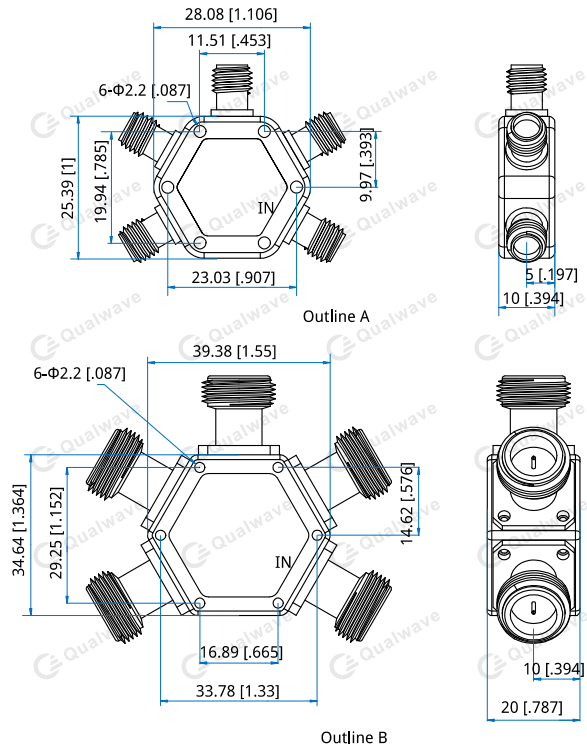
How To Order

QPD4-0-8000-2-S - Outline A

QPD4-0-8000-2-N - Outline B

Customization is available upon request.

Outline Drawings

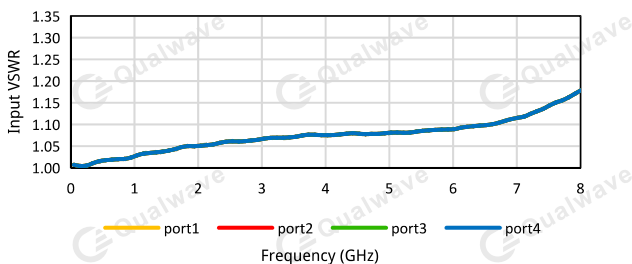


Unit: mm [in]
 Tolerance: ±0.5mm [±0.02in]

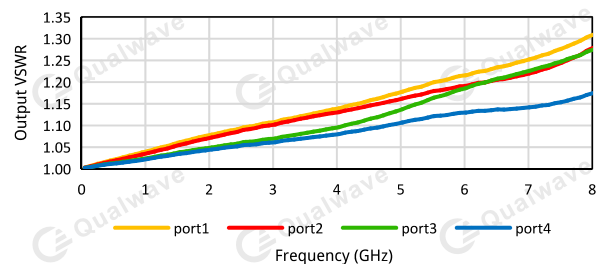
Typical Performance Curves

SMA

Input VSWR vs. Frequency



Output VSWR vs. Frequency



4-Way Resistive Power Divider

