

QPD4-0-40000-2-K

4-Way, DC~40GHz, 2W

Features:
 * Small Size
 * Low Insertion Loss

Applications:
 * Amplifiers
 * Mixers
 * Antennas
 * Laboratory Test

Electrical

Frequency:	DC~40GHz
Insertion Loss ^{*1} :	6dB typ.
VSWR:	2 max.
Isolation:	12dB typ.
Amplitude Balance:	±1.6dB
Phase Balance:	±10°
Impedance:	50Ω
Average Power:	2W

[1] Excluding theoretical loss 12dB.

Mechanical

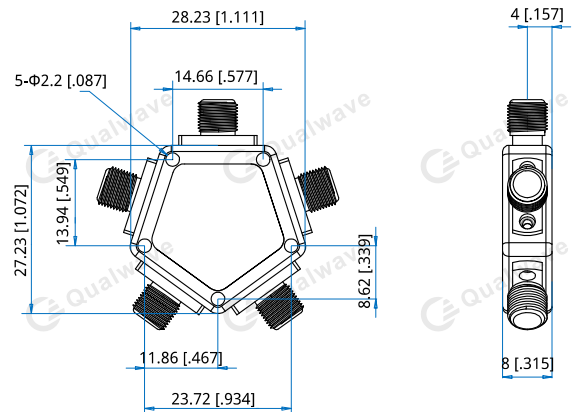
Size ^{*2} :	28.23*27.23*8mm 1.111*1.072*0.315in
Connectors:	2.92mm Female
Mounting:	5-Φ2.2mm through-hole

[2] Exclude connectors.

Environmental

Operation Temperature:	-35~+75°C
------------------------	-----------

Outline Drawings



Unit: mm [in]

Tolerance: ±0.3mm [±0.012in]

How To Order

QPD4-0-40000-2-K

Customization is available upon request.