

## QPD3-600-6000-30

3-Way, 0.6~6GHz

### Features:

- \* Small Size
- \* Low Insertion Loss

### Applications:

- \* Amplifiers
- \* Mixers
- \* Antennas
- \* Laboratory Test

### Electrical

Frequency:	0.6~6GHz
Insertion Loss:	2.6dB max. (SMA) 2.8dB max. (N)
Input VSWR:	1.5 max.
Output VSWR:	1.4 max.
Isolation:	20dB min.
Amplitude Balance:	±0.8dB (SMA) 0.8dB max. (N)
Phase Balance:	±8°
Impedance:	50Ω
Power @SUM Port:	30W max. as divider 2W max. as combiner

### Mechanical

Mounting:	4-Φ2.8mm through-hole (SMA) 4-Φ3.2mm through-hole (N)
-----------	--

### Environmental

Operation Temperature:	-35~+75°C
------------------------	-----------

### How To Order

**QPD3-600-6000-30-Y**

Y: Connector type

Connector naming rules:

S - SMA Female (Outline A)

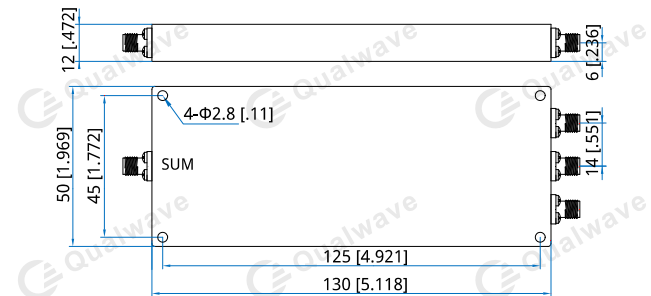
N - N Female (Outline B)

Examples:

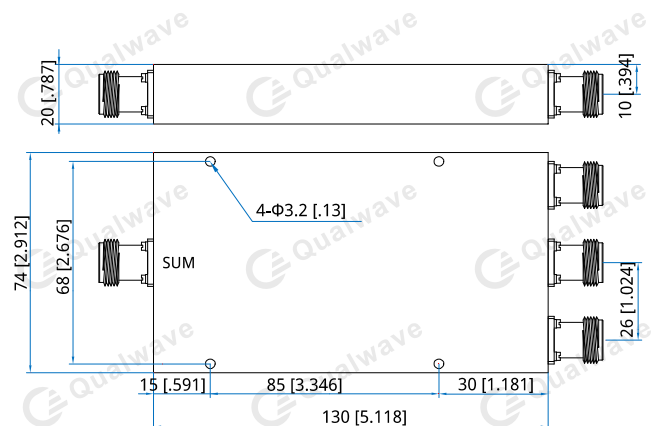
To order a 3-way power divider, 0.6~6GHz, 30W, N female, specify QPD3-600-6000-30-N.

Customization is available upon request.

### Outline Drawings



Outline A



Outline B

Unit: mm [in]

Tolerance: ±0.5mm [±0.02in]