

QPD3-400-6000-20

3-Way, 0.4~6GHz

Features:

- * Small Size
- * Low Insertion Loss

Applications:

- * Amplifiers
- * Mixers
- * Antennas
- * Laboratory Test

Electrical

Frequency:	0.4~6GHz
Insertion Loss:	2.8dB max.
Input VSWR:	1.4 max. (SMA)
	1.5 max. (N)
Output VSWR:	1.4 max.
Isolation:	18dB min.
Amplitude Balance:	0.8dB max.
Phase Balance:	±8°
Impedance:	50Ω
Average Power:	20W max.
	1W max. as combiner

Mechanical

Mounting:	4-Φ2.8mm through-hole (SMA)
	4-Φ3.2mm through-hole (N)

Environmental

Operation Temperature: -35~+75°C

How To Order

QPD3-400-6000-20-Y

Y: Connector type

Connector naming rules:

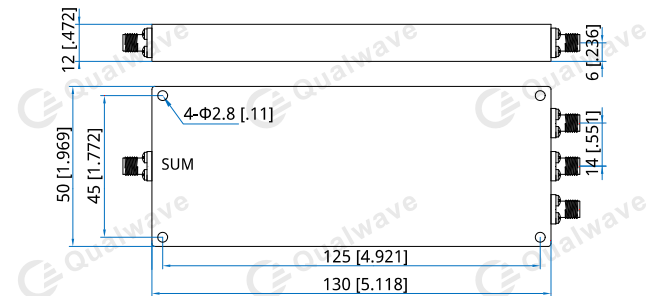
S - SMA Female (Outline A)

N - N Female (Outline B)

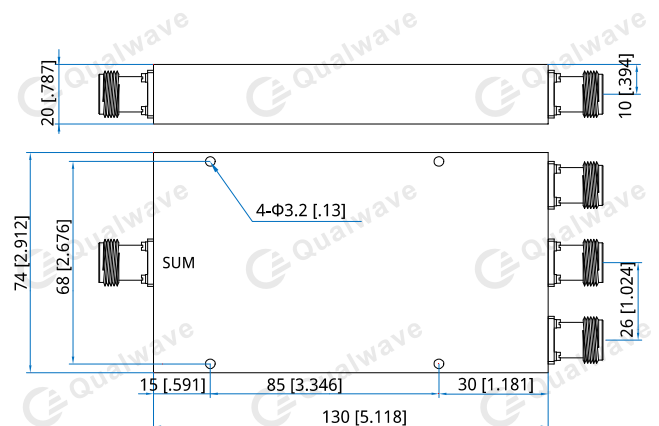
Examples:

To order a 3-way power divider, 0.4~6GHz, 20W, N female, specify QPD3-400-6000-20-N.

Customization is available upon request.

Outline Drawings


Outline A



Outline B

Unit: mm [in]

Tolerance: ±0.5mm [±0.02in]