

QPD3-1100-1700-30

3-Way, 1.1~1.7GHz

Features:
 * Small Size
 * Low Insertion Loss

Applications:
 * Amplifiers
 * Mixers
 * Antennas
 * Laboratory Test

Electrical

Frequency:	1.1~1.7GHz
Insertion Loss:	0.4dB max. (SMA) 0.5dB max. (TNC)
Input VSWR:	1.25 max.
Output VSWR:	1.2 max.
Isolation:	20dB min.
Amplitude Balance:	0.4dB max.
Phase Balance:	±4°
Impedance:	50Ω
Power @SUM Port:	30W max. as divider 2W max. as combiner

Mechanical

Mounting: 4-Φ3.2mm through-hole

Environmental

Operation Temperature: -35~+75°C

How To Order

QPD3-1100-1700-30-Y

Y: Connector type

Connector naming rules:

S - SMA Female (Outline A)

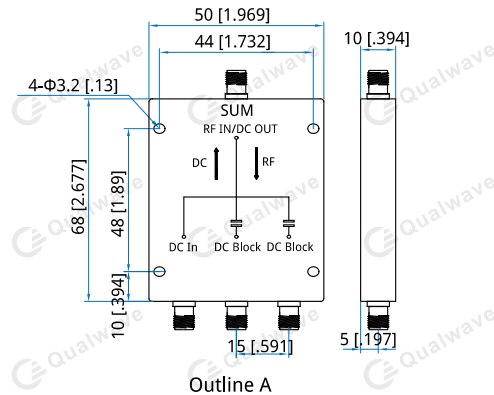
T - TNC Female (Outline B)

Examples:

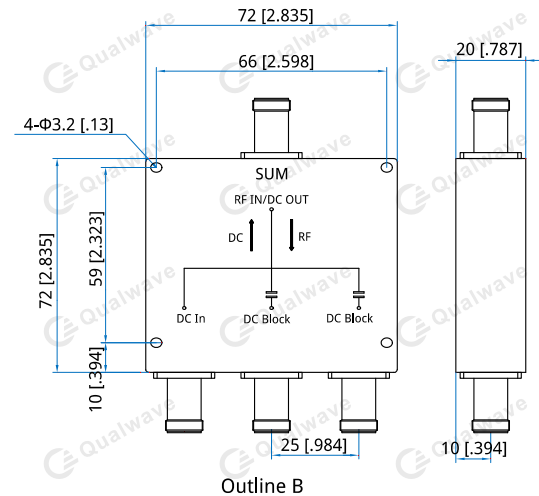
To order a 3-way power divider, 1.1~1.7GHz, 30W, SMA female, specify QPD3-1100-1700-30-S.

Customization is available upon request.

Outline Drawings



Outline A



Outline B

Unit: mm [in]

Tolerance: ±0.5mm [±0.02in]