

## QPD3-0-26500-2-S

### 3-Way, DC~26.5GHz, 2W

Features:  
 \* Small Size  
 \* Low Insertion Loss

Applications:  
 \* Amplifiers  
 \* Mixers  
 \* Antennas  
 \* Laboratory Test

#### Electrical

Frequency:	DC~26.5GHz
Insertion Loss <sup>*1</sup> :	3dB typ.
VSWR:	2 typ.
Isolation:	9dB typ.
Amplitude Balance:	±1.3dB
Phase Balance:	±8°
Impedance:	50Ω
Average Power:	2W

[1] Excluding theoretical loss 9dB.

#### Mechanical

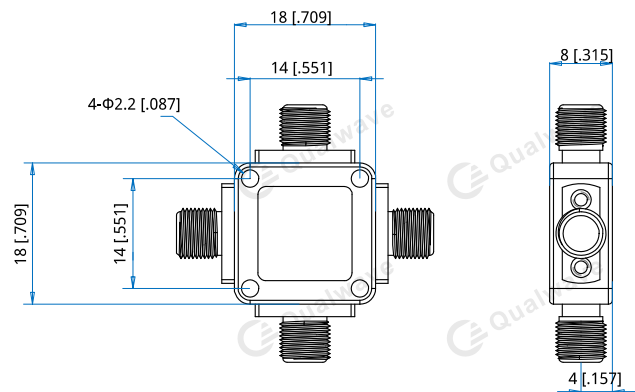
Size <sup>*2</sup> :	18*18*8mm 0.709*0.709*0.315in
Connectors:	SMA Female
Mounting:	4-Φ2.2mm through-hole

[2] Exclude connectors.

#### Environmental

Operation Temperature:	-35~+75°C
------------------------	-----------

#### Outline Drawings



Unit: mm [in]  
 Tolerance: ±0.3mm [±0.012in]

#### How To Order

**QPD3-0-26500-2-S**

Customization is available upon request.