

## QPD2-800-3800

### 2-Way, 0.8~3.8GHz

**Features:**

- \* Small Size
- \* Low Insertion Loss

**Applications:**

- \* Amplifiers
- \* Mixers
- \* Antennas
- \* Laboratory Test

**Electrical**


---

Frequency:	0.8~3.8GHz
Insertion Loss:	0.9dB max.
Input VSWR:	1.3 max.
Output VSWR:	1.2 max.
Isolation:	20dB min.
Amplitude Balance:	±0.2dB
Phase Balance:	±3°
IP Grade:	IP67
Impedance:	50Ω
Average Power:	200W max. 10W max. as combiner

**Mechanical**


---

Size\*1: 95\*58\*30mm  
3.74\*2.283\*1.181in

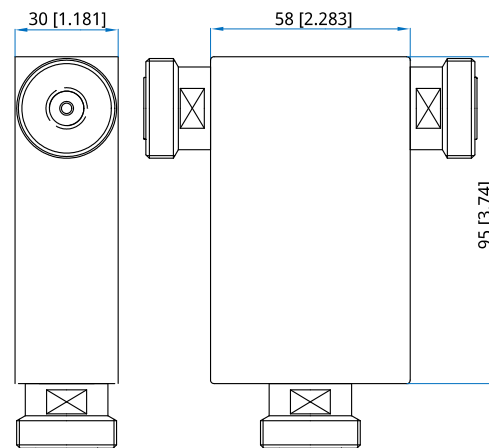
RF Connectors: 7/16 DIN Female

[1] Exclude connectors.

**Environmental**


---

Operation Temperature: -30~+70°C

**Outline Drawings**


Unit: mm [in]

Tolerance: ±0.5mm [±0.02in]

**How To Order**

**QPD2-800-3800**

Customization is available upon request.