

QPD2-700-2700-30

2-Way, 0.7~2.7GHz



Features:
 * Small Size
 * Low Insertion Loss

Applications:
 * Amplifiers
 * Mixers
 * Antennas
 * Laboratory Test

Electrical

Frequency:	0.7~2.7GHz
Insertion Loss:	0.5dB max.
Input VSWR:	1.25 max.
Output VSWR:	1.2 max.
Isolation:	20dB min.
Amplitude Balance:	±0.2dB
Phase Balance:	±2°
Impedance:	50Ω
Power @SUM Port:	30W max. as divider 2W max. as combiner

Mechanical

Connectors:	SMA Female N Female
Mounting:	4-Φ2.2mm through-hole

[1] Exclude connectors.

Environmental

Operation Temperature: -35~+75°C

How To Order

QPD2-700-2700-30-Y

Y: Connector type

Connector naming rules:

S - SMA female (Outline A)

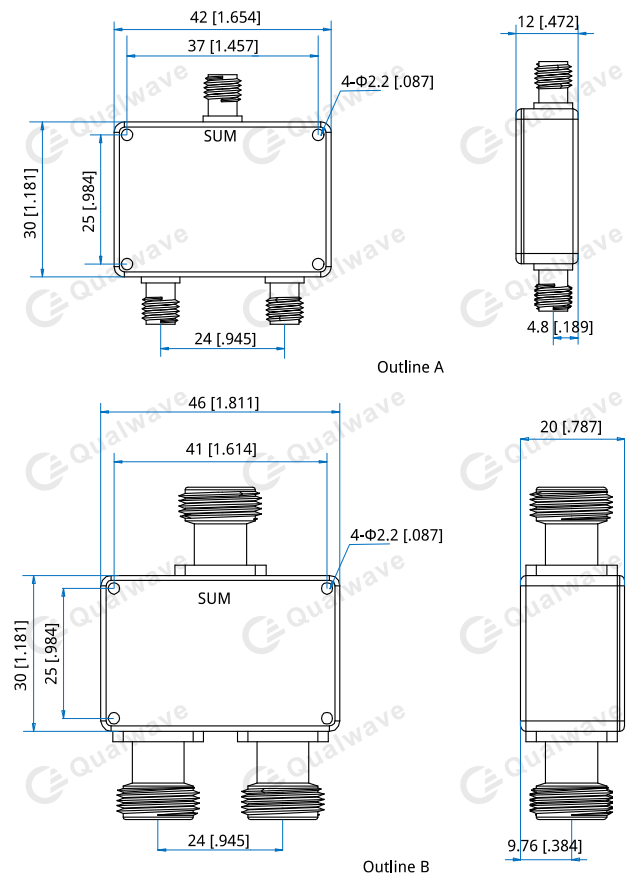
N - N female (Outline B)

Examples:

To order a 2-way power divider, 0.7~2.7GHz, 30W, SMA female, specify QPD2-700-2700-30-S.

Customization is available upon request.

Outline Drawings



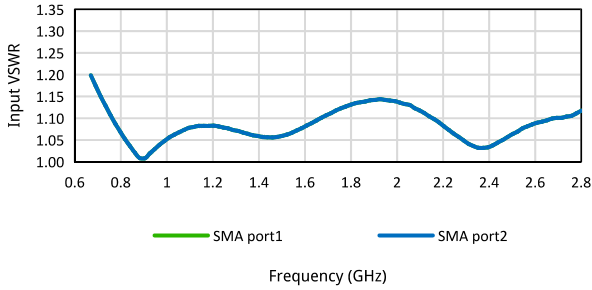
Unit: mm [in]

Tolerance: ±0.5mm [±0.02in]

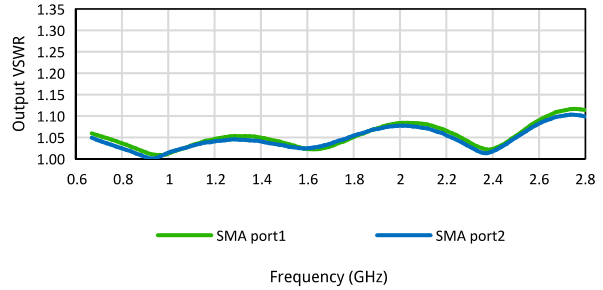
Typical Performance Curves

SMA

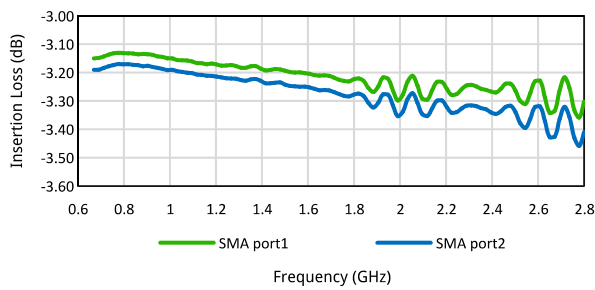
Input VSWR vs. Frequency



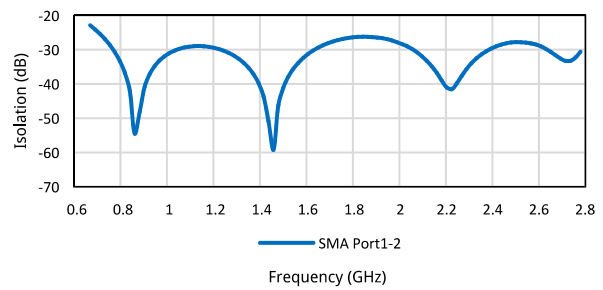
Output VSWR vs. Frequency



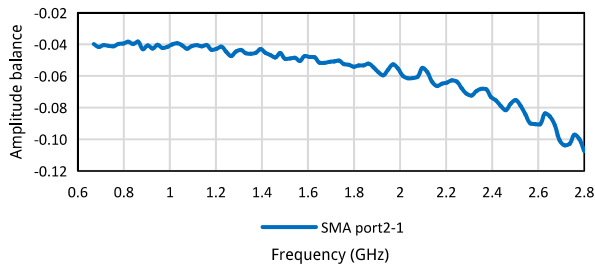
Insertion Loss vs. Frequency



Isolation vs. Frequency



Amplitude balance vs. Frequency



Phase balance vs. Frequency

