

QPD2-68-72-1-N

2-Way, 0.068~0.072GHz

Features:
 * Small Size
 * Low Insertion Loss

Applications:
 * Amplifiers
 * Mixers
 * Antennas
 * Laboratory Test

Electrical

Frequency:	0.068~0.072GHz
Insertion Loss:	0.3dB max.
Input VSWR:	1.2 max.
Output VSWR:	1.2 max.
Isolation:	20dB min.
Amplitude Balance:	0.2dB max.
Phase Balance:	±2°
Impedance:	50Ω
Average Power:	1W max. 0.5W max. as combiner

Mechanical

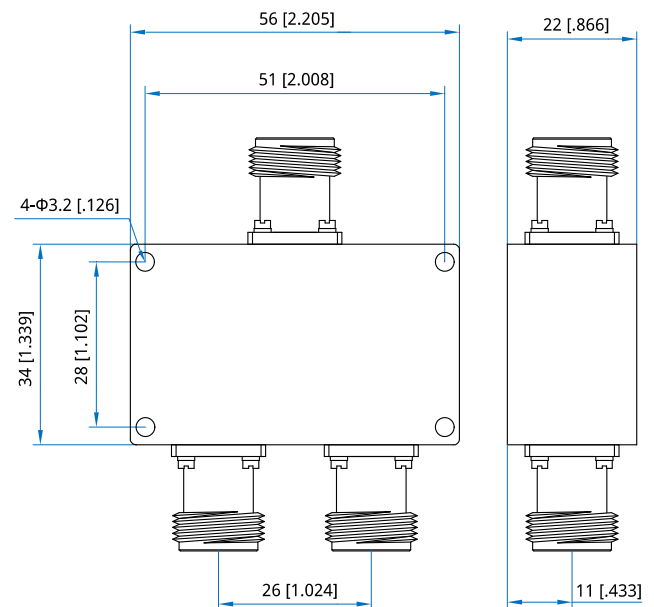
Size ^{*1} :	56*34*22mm 2.205*1.339*0.866in
Weight:	145g
Connectors:	N Female
Mounting:	4-Φ3.2mm through-hole

[1] Exclude connectors.

Environmental

Operation Temperature:	-35~+75°C
------------------------	-----------

Outline Drawings



Unit: mm [in]
 Tolerance: ±0.5mm [±0.02in]

How To Order

QPD2-68-72-1-N

Customization is available upon request.