

QPD2-6000-50000-20-2

2-Way, 6~50GHz

Features:
 * Small Size
 * Low Insertion Loss

Applications:
 * Amplifiers
 * Mixers
 * Antennas
 * Laboratory Test

Electrical

Frequency:	6~50GHz
Insertion Loss:	1.7dB max.
Input VSWR:	1.7 max.
Output VSWR:	1.7 max.
Isolation:	16dB min.
Amplitude Balance:	±0.4dB max.
Phase Balance:	±5° max.
Impedance:	50Ω
Power @SUM Port:	20W max. as divider 1W max. as combiner

Mechanical

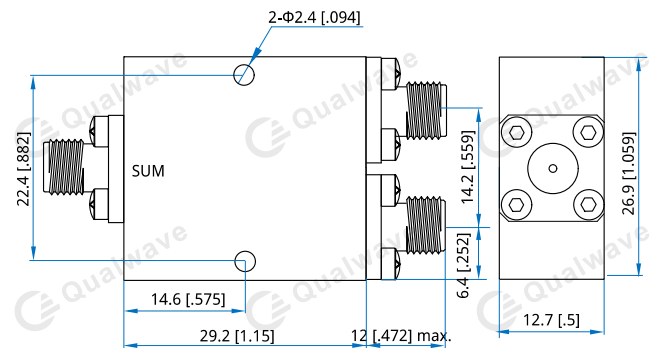
Size ^{*1} :	29.2*26.9*12.7mm 1.15*1.059*0.5in
Connectors:	2.4mm Female
Mounting:	2-Φ2.4mm through-hole

[1] Exclude connectors.

Environmental

Operation Temperature:	-55~+85°C
Non-operation Temperature:	-55~+100°C

Outline Drawings



Unit: mm [in]
 Tolerance: ±0.5mm [±0.02in]

How To Order

QPD2-6000-50000-20-2

Customization is available upon request.