

QPD2-5000-6000-K2-N

2-Way, 5~6GHz

Features:
 * Small Size
 * Low Insertion Loss

Applications:
 * Amplifiers
 * Mixers
 * Antennas
 * Laboratory Test

Electrical

Frequency:	5~6GHz
Insertion Loss:	0.5dB max.
VSWR:	1.5 max.
Isolation:	15dB min.
Amplitude Balance:	±0.2dB
Phase Balance:	±5°
Power @SUM Port:	200W as divider

Mechanical

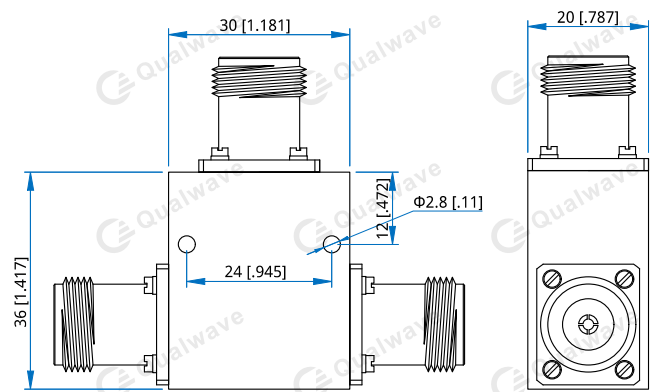
Size*1:	30*36*20mm 1.181*1.417*0.787in
Connectors:	N Female
Mounting:	2-Φ2.8mm through-hole

[1] Exclude connectors.

Environmental

Operation Temperature:	-40~+85°C
------------------------	-----------

Outline Drawings



Unit: mm [in]

Tolerance: ±0.3mm [±0.012in]

How To Order

QPD2-5000-6000-K2-N

Customization is available upon request.