

## QPD2-500-10500-30-S

### 2-Way, 0.5~10.5GHz

Features:  
 \* Small Size  
 \* Low Insertion Loss

Applications:  
 \* Amplifiers  
 \* Mixers  
 \* Antennas  
 \* Laboratory Test



#### Electrical

Frequency:	0.5~10.5GHz
Insertion Loss:	1.5dB max.
Input VSWR:	1.35 max.
Output VSWR:	1.2 max.
Isolation:	19dB min.
Amplitude Balance:	±0.3dB
Phase Balance:	±5°
Impedance:	50Ω
Power @SUM Port:	30W max. as divider 2W max. as combiner

#### Mechanical

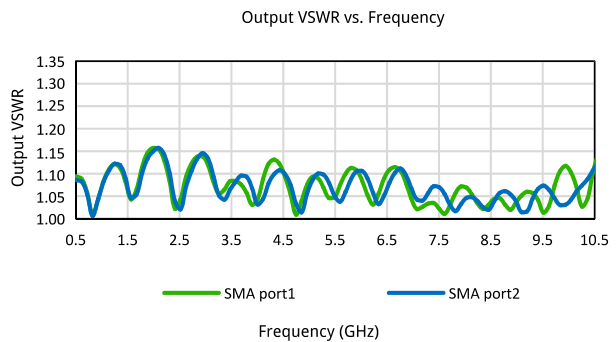
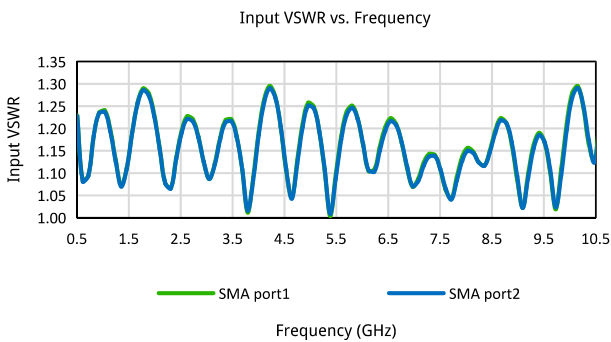
Size <sup>*1</sup> :	70*28*12mm 2.756*1.102*0.472in
Connectors:	SMA Female
Mounting:	4-Φ2.2mm through-hole

[1] Exclude connectors.

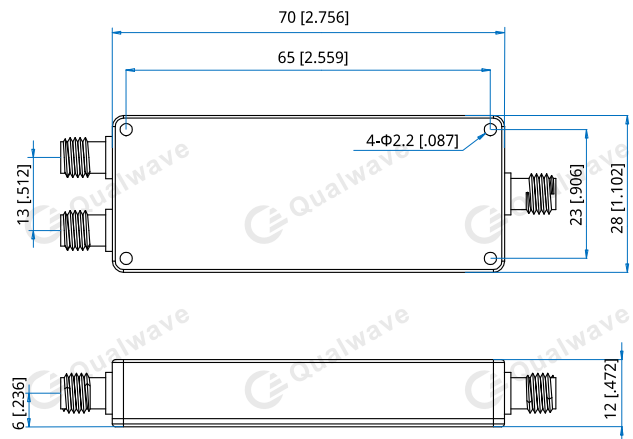
#### Environmental

Operating Temperature:	-35~+75°C
Non-operating Temperature:	-45~+85°C

#### Typical Performance Curves



#### Outline Drawings



Unit: mm [in]  
 Tolerance: ±0.5mm [±0.02in]

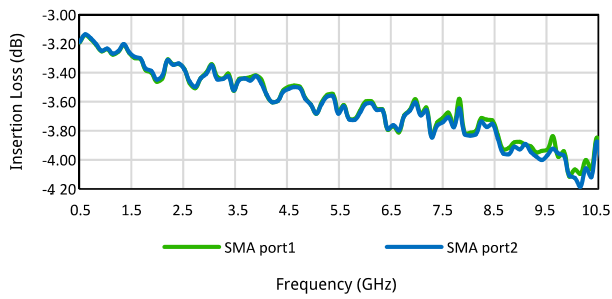
#### How To Order

**QPD2-500-10500-30-S**

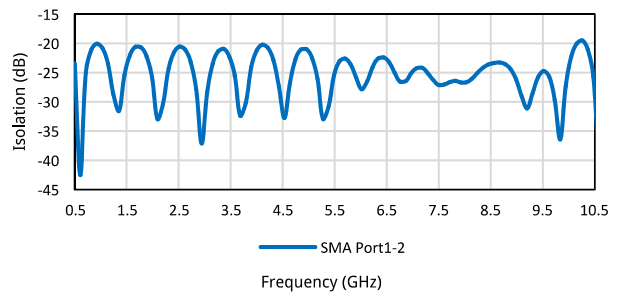
Customization is available upon request.

## 2-Way Power Divider/Combiner

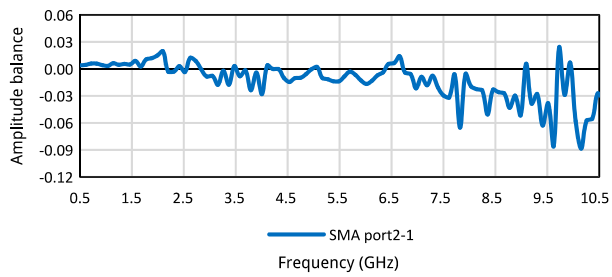
Insertion Loss vs. Frequency



Isolation vs. Frequency



Amplitude balance vs. Frequency



Phase balance vs. Frequency

