

QPD2-4000-6000-30-S

2-Way, 4~6GHz

Features:
 * Small Size
 * Low Insertion Loss

Applications:
 * Amplifiers
 * Mixers
 * Antennas
 * Laboratory Test

Electrical

Frequency:	4~6GHz
Insertion Loss:	0.4dB max.
Input VSWR:	1.20 max.
Output VSWR:	1.20 max.
Isolation:	20dB min.
Amplitude Balance:	0.2dB max.
Phase Balance:	±2°
Impedance:	50Ω
Power @SUM Port:	30W max.as divider 2W max. as combiner

Mechanical

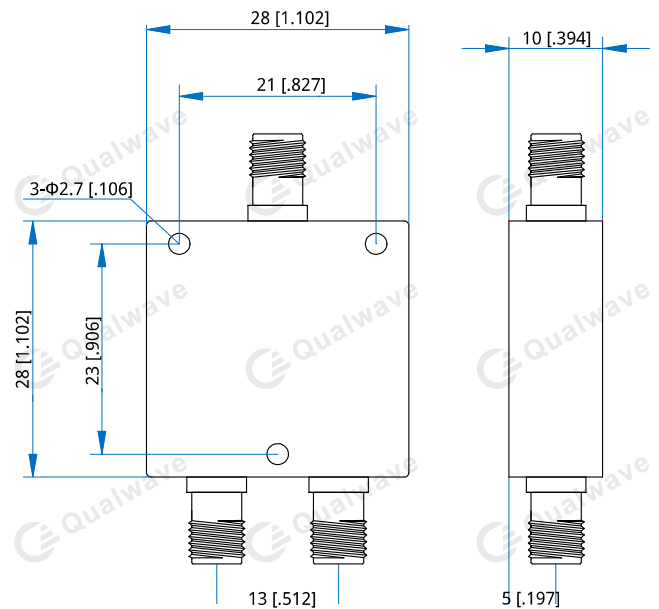
Size ^{*1} :	10*28*28mm 0.394*1.102*1.102in
Connectors:	SMA Female
Mounting:	3-Φ2.7mm through-hole

[1] Exclude connectors.

Environmental

Operation Temperature:	-45~+85°C
------------------------	-----------

Outline Drawings



Unit: mm [in]
 Tolerance: ±0.5mm [±0.02in]

How To Order

[QPD2-4000-6000-30-S](#)

Customization is available upon request.