

QPD2-350-8000-30-S

2-Way, 0.35~8GHz

Features:
 * Small Size
 * Low Insertion Loss

Applications:
 * Amplifiers
 * Mixers
 * Antennas
 * Laboratory Test



Electrical

Frequency:	0.35~8GHz
Insertion Loss ^{*1} :	1.5dB max.
Input VSWR:	1.3 max.
Output VSWR:	1.2 max.
Isolation:	20dB min.
Amplitude Balance:	±0.2dB
Phase Balance:	±2°
Impedance:	50Ω
Power @SUM Port:	30W max. as divider 2W max. as combiner

[1] Excluding theoretical loss 3.0dB.

Mechanical

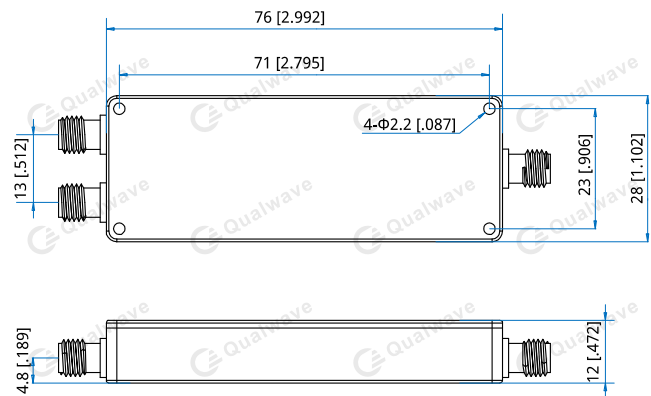
Size ^{*2} :	76*28*12mm 2.992*1.102*0.472in
Weight:	54g
Connectors:	SMA Female
Mounting:	4-Φ2.2mm through-hole

[2] Exclude connectors.

Environmental

Operation Temperature: -35~+75°C

Outline Drawings



Unit: mm [in]
 Tolerance: ±0.5mm [±0.02in]

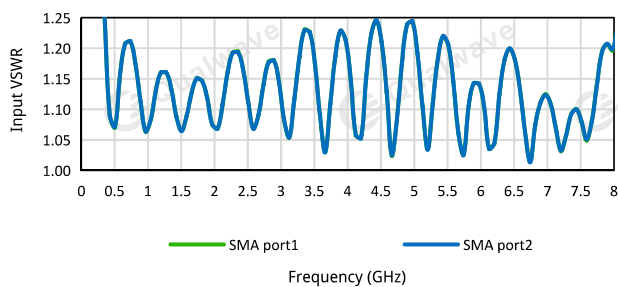
How To Order

QPD2-350-8000-30-S

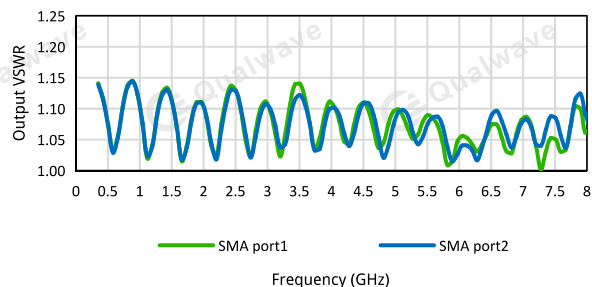
Customization is available upon request.

Typical Performance Curves

Input VSWR vs. Frequency

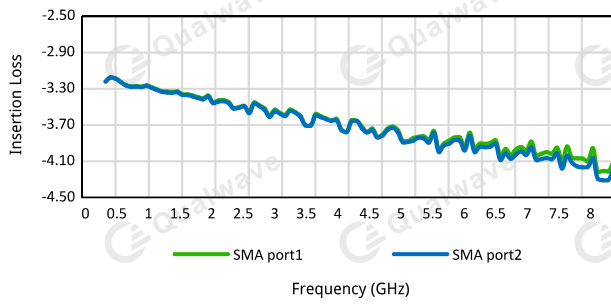


Output VSWR vs. Frequency

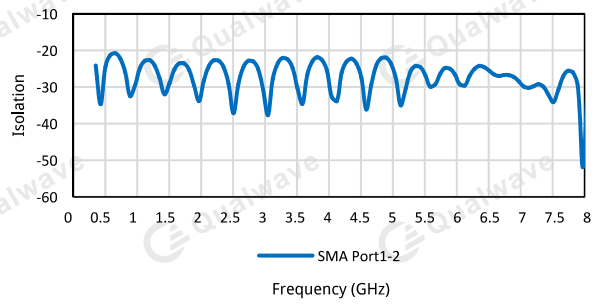


2-Way Power Divider/Combiner

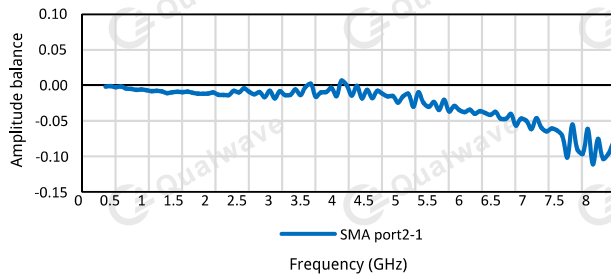
Insertion Loss vs. Frequency



Isolation vs. Frequency



Amplitude balance vs. Frequency



Phase balance vs. Frequency

