

QPD2-3000-6000-K5-N

2-Way, 3~6GHz, 500W

Features:
 * Small Size
 * Low Insertion Loss

Applications:
 * Amplifiers
 * Mixers
 * Antennas
 * Laboratory Test

Electrical

Frequency:	3~6GHz
Insertion Loss:	0.6dB max.
VSWR:	1.5 max.
Isolation:	15dB min.
Amplitude Balance:	±0.5dB
Phase Balance:	±5°
Impedance:	50Ω
Power @SUM Port:	500W as divider 200W as combiner

Mechanical

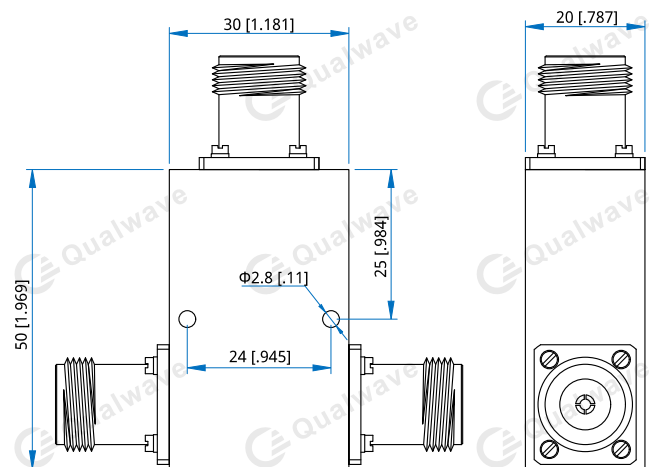
Size ^{*1} :	50*30*20mm 1.969*1.181*0.787in
Connectors:	N female
Mounting:	2-Φ2.8mm through-hole

[1] Exclude connectors.

Environmental

Operation Temperature:	-40~+85°C
------------------------	-----------

Outline Drawings



Unit: mm [in]

Tolerance: ±0.3mm [±0.012in]

How To Order

QPD2-3000-6000-K5-N

Customization is available upon request.