

QPD2-300-600-50-N

2-Way, 0.3~0.6GHz

Features:
 * Small Size
 * Low Insertion Loss

Applications:
 * Amplifiers
 * Mixers
 * Antennas
 * Laboratory Test

Electrical

Frequency:	0.3~0.6GHz
Insertion Loss:	0.3dB max.
Input VSWR:	1.2 max.
Output VSWR:	1.2 max.
Isolation:	20dB min.
Amplitude Balance:	0.2dB max.
Phase Balance:	$\pm 2^\circ$
Impedance:	50 Ω
Power @SUM Port:	50W max. as divider 5W max. as combiner

Mechanical

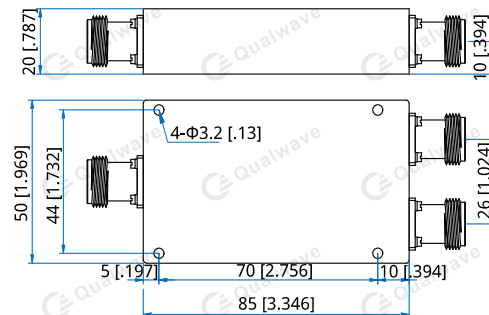
Size ^{*1} :	85*50*20mm 3.346*1.969*0.787in
Connectors:	N Female
Mounting:	4- Φ 3.2mm through-hole

[1] Exclude connectors.

Environmental

Operation Temperature:	-35~+75°C
------------------------	-----------

Outline Drawings



Unit: mm [in]

Tolerance: ± 0.5 mm [± 0.02 in]

How To Order

QPD2-300-600-50-N

Customization is available upon request.