

## QPD2-30-406-K5-S

### 2-Way, 0.03~0.406GHz

**Features:**

- \* Small Size
- \* Low Insertion Loss

**Applications:**

- \* Amplifiers
- \* Mixers
- \* Antennas
- \* Laboratory Test

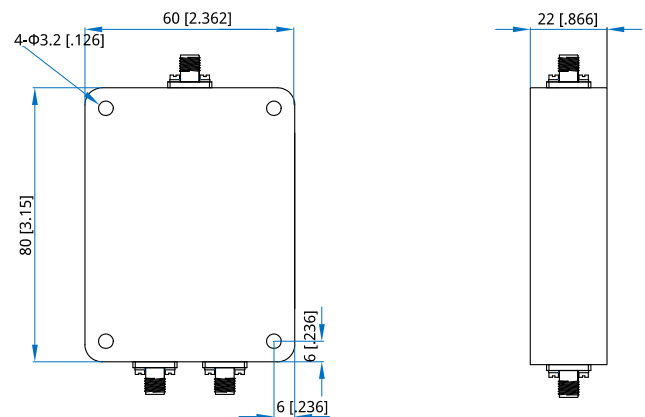
**Electrical**

Frequency:	0.03~0.406GHz
Insertion Loss:	0.5dB max.
VSWR:	1.35 max.
Isolation:	20dB min.
Amplitude Balance:	0.1dB max.
Phase Balance:	3° max.
Average Power:	500W

**Mechanical**

Size*1:	60*80*22mm 2.362*3.15*0.866in
Connectors:	SMA Female
Mounting:	4-Φ3.2mm through-hole

[1] Exclude connectors.

**Outline Drawings**


Unit: mm [in]

Tolerance: ±0.5mm [±0.02in]

**How To Order**

**QPD2-30-406-K5-S**

Customization is available upon request.