

QPD2-26500-67000-12-V

2-Way, 26.5~67GHz

Features:
 * Small Size
 * Low Insertion Loss

Applications:
 * Amplifiers
 * Mixers
 * Antennas
 * Laboratory Test

Electrical

Frequency:	26.5~67GHz
Insertion Loss:	2.1dB max.
Input VSWR:	1.8 max.
Output VSWR:	1.8 max.
Isolation:	18dB min.
Amplitude Balance:	±0.6dB max.
Phase Balance:	±8° max.
Impedance:	50Ω
Power @SUM Port:	12W max. as divider 1W max. as combiner

Mechanical

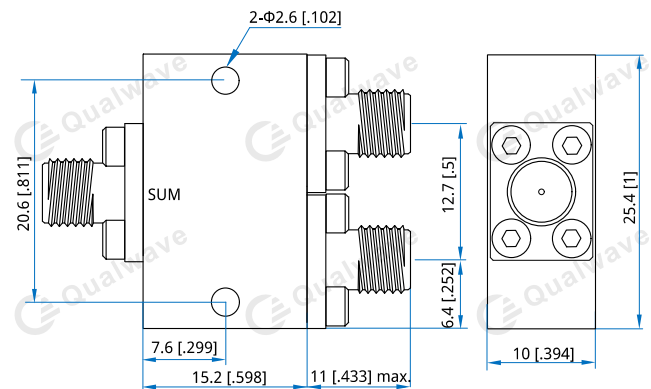
Size ^{*1} :	15.2*25.4*10mm 0.598*1*0.394in
Connectors:	1.85mm Female
Mounting:	2-Φ2.6mm through-hole

[1] Exclude connectors.

Environmental

Operation Temperature:	-55~+85°C
Non-operation Temperature:	-55~+100°C

Outline Drawings



Unit: mm [in]
 Tolerance: ±0.5mm [±0.02in]

How To Order

QPD2-26500-67000-12-V

Customization is available upon request.