

QPD2-26000-54000-20-2

2-Way, 26~54GHz

Features:
 * Small Size
 * Low Insertion Loss

Applications:
 * Amplifiers
 * Mixers
 * Antennas
 * Laboratory Test

Electrical

Frequency:	26~54GHz
Insertion Loss:	2.0dB max.
Input VSWR:	1.8 max.
Output VSWR:	1.8 max.
Isolation:	14dB min.
Amplitude Balance:	±0.8dB max.
Phase Balance:	±6° max.
Impedance:	50Ω
Power @SUM Port:	20W max. as divider

Mechanical

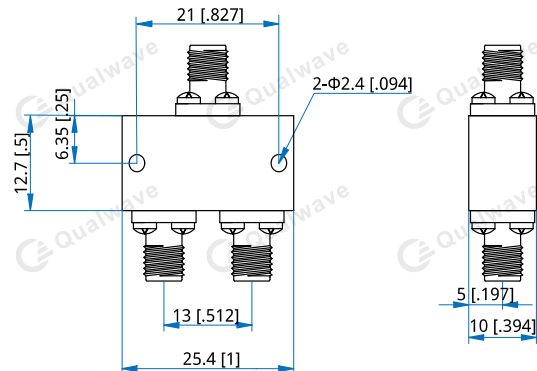
Size ^{*1} :	25.4*12.7*10mm 1*0.5*0.394in
Connectors:	2.4mm Female
Mounting:	2-Φ2.4mm through-hole

[1] Exclude connectors.

Environmental

Operating Temperature:	-35~+75°C
------------------------	-----------

Outline Drawings



Unit: mm [in]
 Tolerance: ±0.5mm [±0.02in]

How To Order

QPD2-26000-54000-20-2

Customization is available upon request.