

QPD2-2000-4000-K1

2-Way, 2~4GHz



Features:
 * Small Size
 * Low Insertion Loss

Applications:
 * Amplifiers
 * Mixers
 * Antennas
 * Laboratory Test

Electrical

Frequency:	2~4GHz
Insertion Loss:	0.4dB max.
Input VSWR:	1.25 max.
Output VSWR:	1.2 max.
Isolation:	20dB min.
Amplitude Balance:	±0.2dB
Phase Balance:	±3°
Impedance:	50Ω
Power @SUM Port:	100W max.as divider 100W max. as combiner

Mechanical

Size ^{*1} :	48*46*20mm 1.89*1.811*0.787in
Connectors:	N Female, N&SMA Female
Mounting:	4-Φ2.7mm through-hole

[1] Exclude connectors.

Environmental

Operating Temperature:	-35~+75°C
Non-operating Temperature:	-45~+85°C

How To Order

QPD2-2000-4000-K1-Y

Y: Connector type

Connector naming rules:

N - N Female (Outline A)

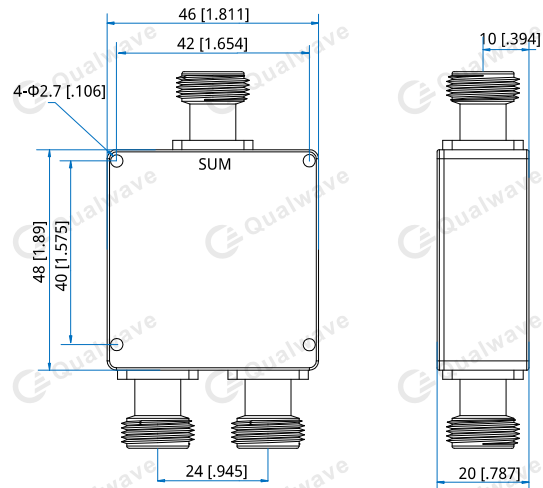
NS - N&SMA Female (Outline B)

Examples:

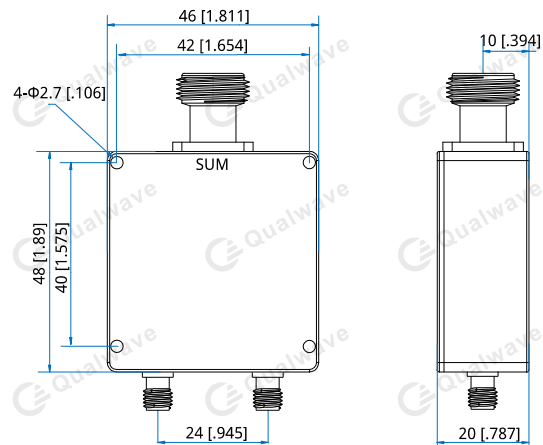
To order a 2-way power divider, 2~4GHz, 100W, N female, specify QPD2-2000-4000-K1-N.

Customization is available upon request.

Outline Drawings



Outline A



Outline B

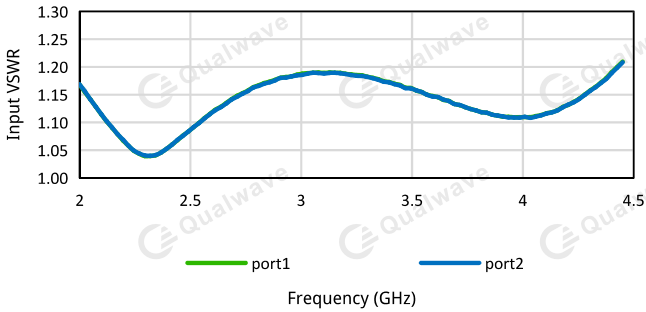
Unit: mm [in]

Tolerance: ±0.5mm [±0.02in]

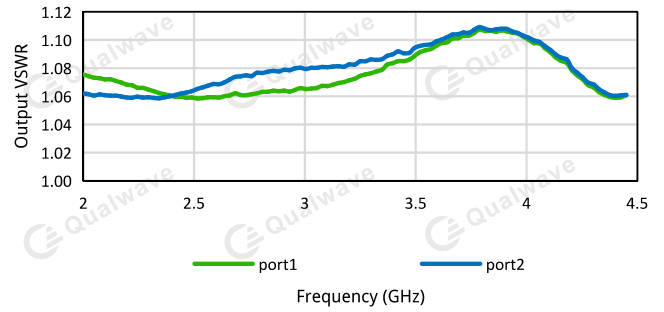
Typical Performance Curves

N:

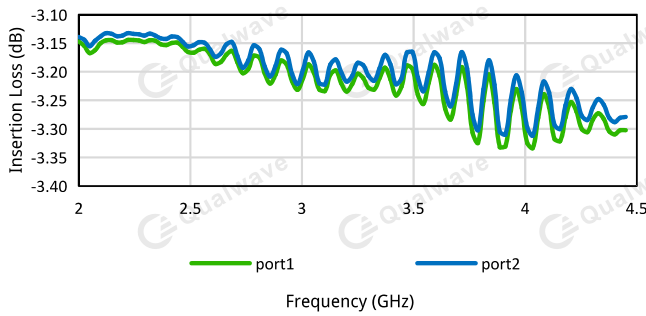
Input VSWR vs. Frequency



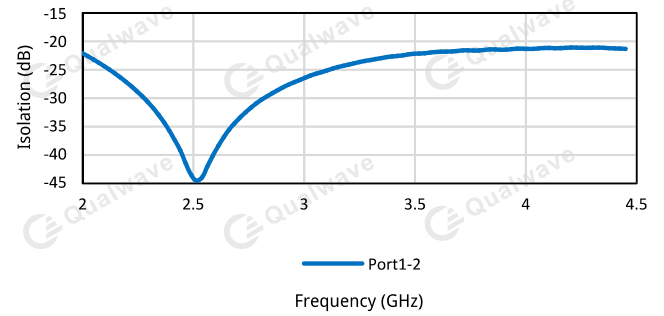
Output VSWR vs. Frequency



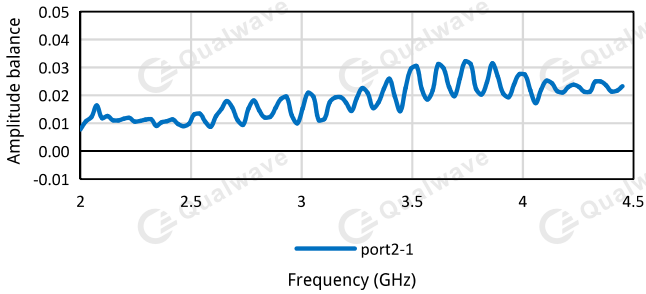
Insertion Loss vs. Frequency



Isolation vs. Frequency



Amplitude balance vs. Frequency



Phase balance vs. Frequency

