

QPD2-20-1000-K2

2-Way, 0.02~1GHz

Features:

- * Small Size
- * Low Insertion Loss

Applications:

- * Amplifiers
- * Mixers
- * Antennas
- * Laboratory Test

Electrical

Frequency:	0.02~1GHz
Input VSWR:	1.35 max. (Outline A) 1.5 max. @20MHz~80MHz 1.35 max. @80MHz~1000MHz
Impedance:	50Ω
Power @SUM Port:	200W as divider 200W as combiner

Connector type	Insertion Loss (dB max.)	VSWR (max.)	Isolation (dB min.)	Amplitude Balance (dB max.)	Phase Balance (° max.)
SMA	0.6	1.35	20	0.3	5
N	0.8	1.3	15	0.1	2

Mechanical

Mounting: 4-Φ3.2mm through-hole

How To Order

QPD2-20-1000-K2-Y

Y: Connector type

Connector naming rules:

S - SMA Female (Outline A)

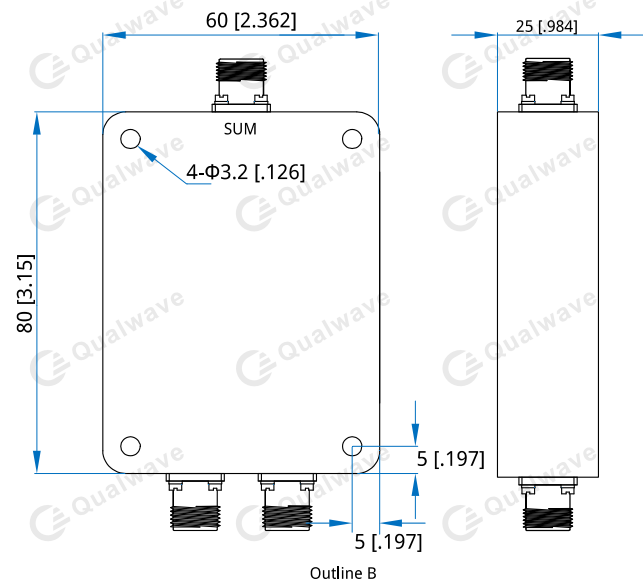
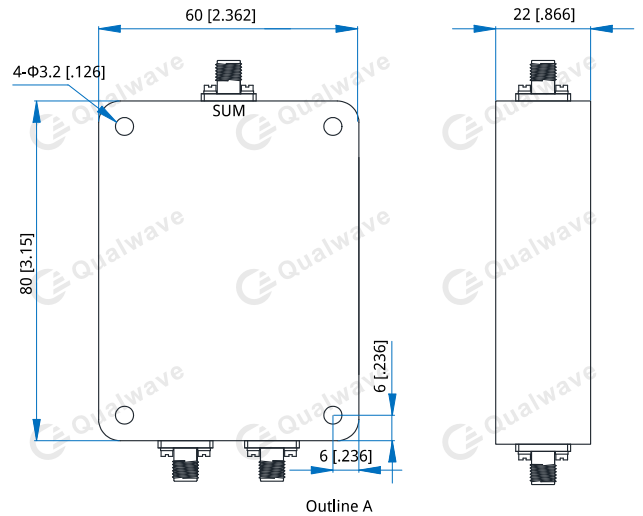
N - N Female (Outline B)

Examples:

To order a 2-way power divider, 0.02~1GHz, 200W, N female, specify QPD2-20-1000-K2-N.

Customization is available upon request.

Outline Drawings



Unit: mm [in]

Tolerance: ±0.5mm [±0.02in]