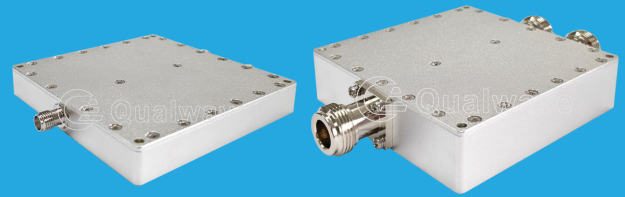


QPD2-115-160-K1

2-Way, 115~160MHz

Features:
 * Small Size
 * Low Insertion Loss

Applications:
 * Amplifiers
 * Mixers
 * Antennas
 * Laboratory Test



Electrical

Frequency:	115~160MHz
Insertion Loss ^{*1} :	0.2dB max.
Input VSWR:	1.25 max.
Output VSWR:	1.1 max.
Isolation:	20dB min.
Amplitude Balance:	±0.1dB typ.
Phase Balance:	±1° typ.
Impedance:	50Ω
Power @SUM Port:	100W max. as divider 100W max. as combiner

[1] Excluding theoretical loss 3dB.

Mechanical

Connectors:	N Female, SMA Female
Mounting:	4-Φ2.8mm through-hole

Environmental

Operation Temperature:	-45~+85°C
Non-operating Temperature:	-55~+125°C

How To Order

QPD2-115-160-K1-X

X: Connector type

Connector naming rules:

S - SMA Female (Outline A)

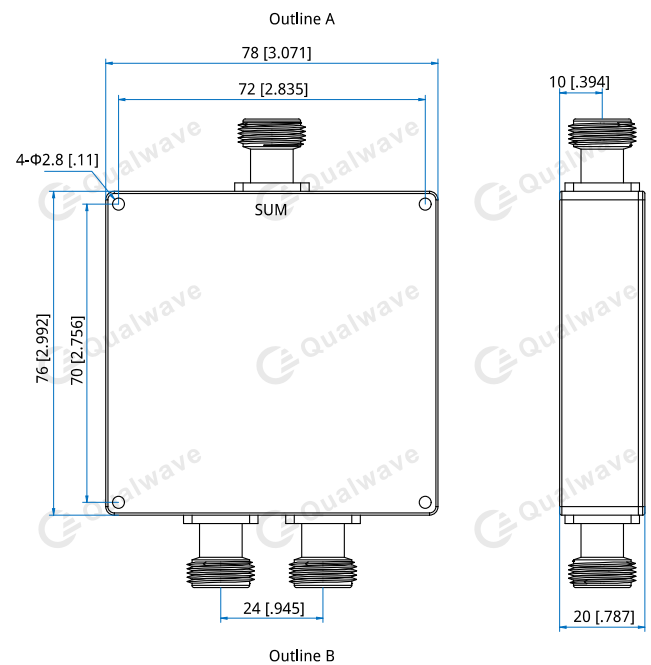
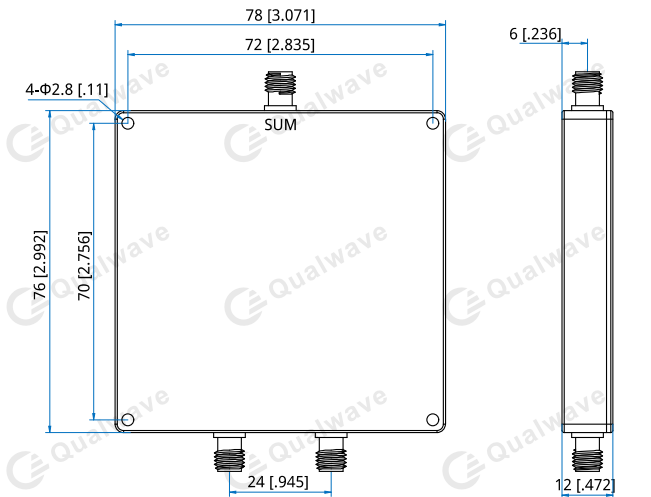
N - N Female (Outline B)

Examples:

To order a 2-way power divider, 115~160MHz, 100W, N female, specify QPD2-115-160-K1-N.

Customization is available upon request.

Outline Drawings



Unit: mm [in]
 Tolerance: ±0.5mm [±0.02in]

Typical Performance Curves

