

QPD2-1000-26500-20

2-Way, 1~26.5GHz

Features:
 * Small Size
 * Low Insertion Loss

Applications:
 * Amplifiers
 * Mixers
 * Antennas
 * Laboratory Test

Electrical

Frequency:	1~26.5GHz
Insertion Loss:	1.2dB max.
Input VSWR:	1.7 max.
Output VSWR:	1.6 max.
Isolation:	16dB min.
Amplitude Balance:	±0.5dB
Phase Balance:	±6°
Impedance:	50Ω
Power @SUM Port:	20W max. as divider 1W max. as combiner

Mechanical

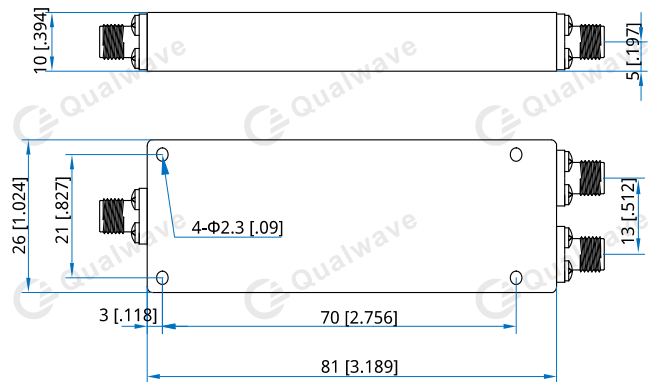
Size ^{*1} :	81*26*10mm 3.189*1.024*0.394in
Connectors:	SMA Female or 2.92mm Female
Mounting:	4-Φ2.3mm through-hole

[1] Exclude connectors.

Environmental

Operation Temperature:	-45~+85°C
------------------------	-----------

Outline Drawings



Unit: mm [in]
 Tolerance: ±0.5mm [±0.02in]

How To Order

QPD2-1000-26500-20-Y

Y: Connector type

Connector naming rules:

S - SMA Female

K - 2.92mm Female

Examples:

To order a 2-way power divider, 1~26.5GHz, 20W, 2.92mm female, specify QPD2-1000-26500-20-K.

Customization is available upon request.