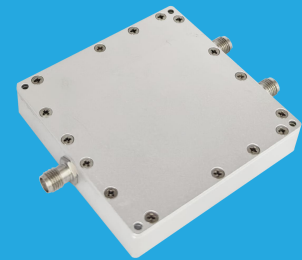


QPD2-100-600-30

2-Way, 0.1~0.6GHz

Features:
 * Small Size
 * Low Insertion Loss

Applications:
 * Amplifiers
 * Mixers
 * Antennas
 * Laboratory Test



Electrical

Frequency:	0.1~0.6GHz
Insertion Loss:	0.8dB max.
Input VSWR:	1.2 max.
Output VSWR:	1.15 max.
Isolation:	20dB min.
Amplitude Balance:	±0.1dB
Phase Balance:	±1°
Impedance:	50Ω
Power @SUM Port:	30W max. as divider 2W max. as combiner

Mechanical

Connectors:	N Female SMA Female
Mounting:	4-Φ2.2mm through-hole

Environmental

Operating Temperature:	-35~+75°C
Non-operating Temperature:	-45~+85°C

How To Order

QPD2-100-600-30-Y

Y: Connector type

Connector naming rules:

S - SMA Female (Outline A)

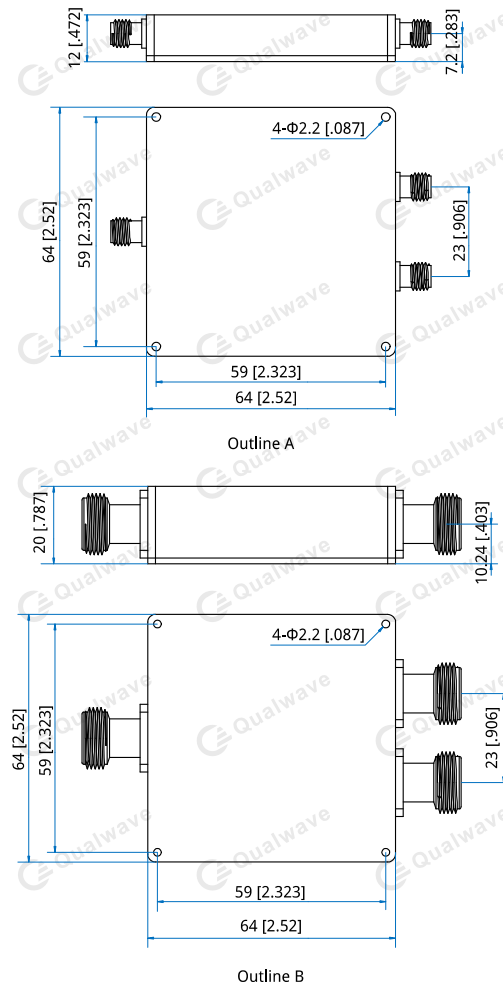
N - N Female (Outline B)

Examples:

To order a 2-way power divider, 0.1~0.6GHz, 30W, SMA female, specify QPD2-100-600-30-S.

Customization is available upon request.

Outline Drawings



Unit: mm [in]
 Tolerance: ±0.5mm [±0.02in]

Typical Performance Curves

