

QPD2-100-512-30-N

2-Way, 0.1~0.512GHz

Features:
 * Small Size
 * Low Insertion Loss

Applications:
 * Amplifiers
 * Mixers
 * Antennas
 * Laboratory Test

Electrical

Frequency:	0.1~0.512GHz
Insertion Loss:	0.7dB max.
Input VSWR:	1.3 max.
Output VSWR:	1.2 max.
Isolation:	23dB min.
Amplitude Balance:	0.2dB max.
Phase Balance:	±2°
Impedance:	50Ω
Power @SUM Port:	30W max. as divider 2W max. as combiner

Mechanical

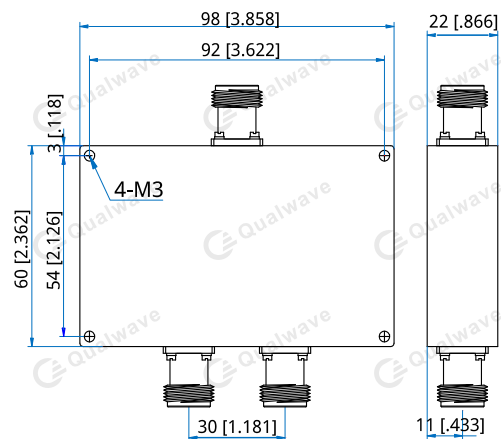
Size*1:	98*60*22mm 3.858*2.362*0.866in
Connectors:	N Female
Mounting:	4-M3

[1] Exclude connectors.

Environmental

Operation Temperature:	-45~+85°C
------------------------	-----------

Outline Drawings



Unit: mm [in]
 Tolerance: ±0.5mm [±0.02in]

How To Order

QPD2-100-512-30-N

Customization is available upon request.