

## QPD2-100-400

### 2-Way, 0.1~0.4GHz

**Features:**

- \* Small Size
- \* Low Insertion Loss

**Applications:**

- \* Amplifiers
- \* Mixers
- \* Antennas
- \* Laboratory Test

**Electrical**

Frequency:	0.1~0.4GHz
Insertion Loss:	1.0dB max.
Input VSWR:	1.2 max.
Output VSWR:	1.2 max.
Isolation:	22dB min.
Amplitude Balance:	0.2dB max.
Phase Balance:	±2°
Impedance:	50Ω
Average Power:	30W max. 2W max. as combiner

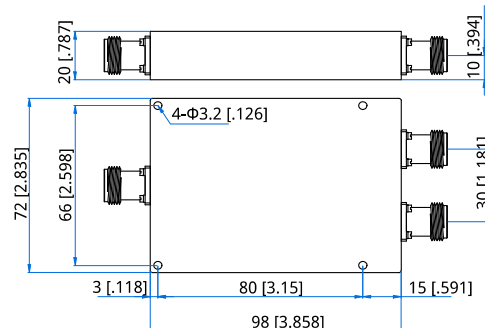
**Mechanical**

Size <sup>*1</sup> :	98*72*20mm 3.858*2.835*0.787in
Connectors:	N Female
Mounting:	4-Φ3.2mm through-hole

[1] Exclude connectors.

**Environmental**

Operation Temperature:	-35~+75°C
------------------------	-----------

**Outline Drawings**


Unit: mm [in]

Tolerance: ±0.5mm [±0.02in]

**How To Order**

**QPD2-100-400**

Customization is available upon request.