

QPD2-0-50000-2

DC~50GHz, 2W

Features:
 * Small Size
 * Low Insertion Loss

Applications:
 * Amplifiers
 * Mixers
 * Antennas
 * Laboratory Test

Electrical

Frequency: DC~50GHz
 Impedance: 50Ω
 Power @SUM Port: 2W as divider

Model	Insertion Loss* ¹ (dB max.)	Input VSWR (max.)	Output VSWR (max.)	Isolation (dB min.)
QPD2-0-50000-2-2	4	2	2.5	9
QPD2-0-50000-2-2-1	2	2	2	5.5

[1] Excluding theoretical loss 6.0dB.

Mechanical

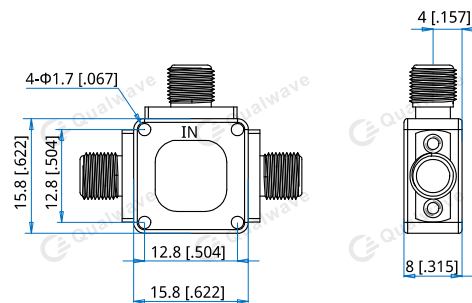
Size*²: 15.8*15.8*8mm
 0.622*0.622*0.315in
 Connectors: 2.4mm Female
 Mounting: 4-Φ1.7mm through-hole

[1] Exclude connectors.

Environmental

Operating Temperature: -40~+85°C
 Non-operating Temperature: -55~+100°C

Outline Drawings



Unit: mm [in]

Tolerance: ±0.5mm [±0.02in]

How To Order

QPD2-0-50000-2-X

X: Connector type

Connector naming rules:

2 - 2.4mm Female, Consists of two 50Ω resistors

2-1 - 2.4mm Female, Consists of three 16 2/3Ω resistors

Examples:

To order a 2-way power divider, 0~50GHz, 2W, 2.4mm female, Consists of two 50Ω resistors, specify QPD2-0-50000-2-2.

Customization is available upon request.