

QPD2-0-4000-2-S

2-Way, DC~4GHz, 2W

Features:

- * Small Size
- * Low Insertion Loss

Applications:

- * Amplifiers
- * Mixers
- * Antennas
- * Laboratory Test

Electrical

Frequency:	DC~4GHz
Insertion Loss:	6.8dB max.
Input VSWR:	1.2 max.
Output VSWR:	1.2 max.
Isolation:	5.6dB min.
Amplitude Balance:	0.3dB max.
Phase Balance:	±3°
Impedance:	50Ω
Average Power:	2W

Mechanical

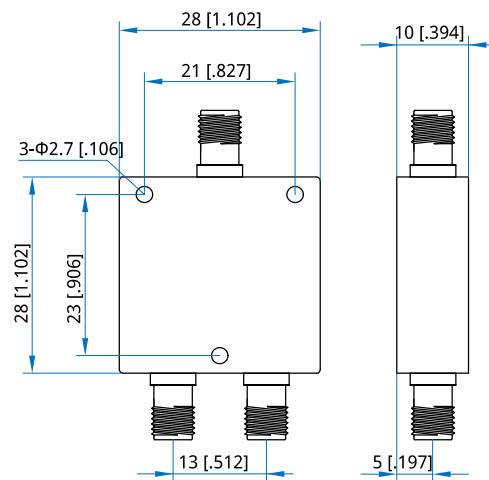
Size ^{*1} :	28*28*10mm 1.102*1.102*0.394in
Weight:	21g
Connectors:	SMA Female
Mounting:	3-Φ2.7mm through-hole

[1] Exclude connectors.

Environmental

Operation Temperature:	-35~+75°C
------------------------	-----------

Outline Drawings



Unit: mm [in]

Tolerance: ±0.5mm [±0.02in]

How To Order

QPD2-0-4000-2-S

Customization is available upon request.