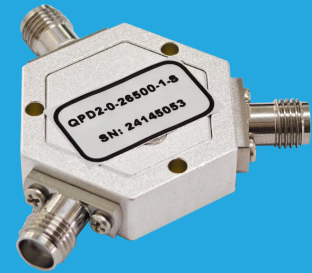


QPD2-0-26500-1

2-Way, 0~26.5GHz

Features:
 * Small Size
 * Low Insertion Loss

Applications:
 * Amplifiers
 * Mixers
 * Antennas
 * Laboratory Test



Electrical

| | |
|--------------------------------|--------------------|
| Frequency: | 0~26.5GHz |
| Insertion Loss ^{*1} : | 2dB max. |
| VSWR: | 1.25 max. |
| Amplitude Balance: | ±0.3dB max. |
| Phase Balance: | ±3° max. |
| Impedance: | 50Ω |
| Power @SUM Port: | 1W max. as divider |

[1] Excluding theoretical loss 6.0dB.

Mechanical

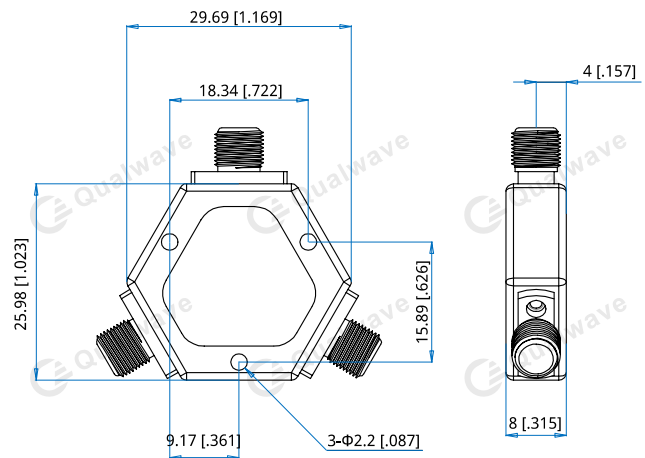
| | |
|----------------------|--|
| Size ^{*2} : | 25.98*29.69*8mm 1.023*1.169*0.315in |
| Connectors: | SMA Female 2.92mm Female |
| Mounting: | 3-Φ2.2mm through-hole |

[2] Exclude connectors.

Environmental

| | |
|------------------------|-----------|
| Operation Temperature: | -45~+85°C |
|------------------------|-----------|

Outline Drawings



Unit: mm [in]

Tolerance: ±0.3mm [±0.012in]

How To Order

[QPD2-0-26500-1-K](#)

[QPD2-0-26500-1-S](#)

Customization is available upon request.