

# QHC8-900-1600-30-S

## 0.9~1.6GHz, 30W

Features:  
 \* Broadband  
 \* High Power  
 \* Low Insertion Loss

Applications:  
 \* Amplifiers  
 \* Transmitter  
 \* Laboratory Test  
 \* Radar

### Electrical

Frequency:	0.9~1.6GHz
Insertion Loss:	0.5dB max.
VSWR:	1.35 max.
Isolation:	20dB min.
Amplitude Balance:	±0.5 dB max.
Phase Balance:	±9°
Average Power:	30W
Impedance:	50Ω

### Mechanical

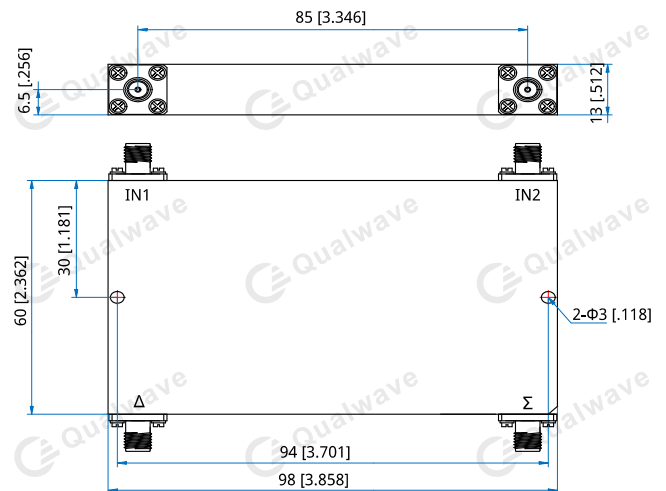
Size <sup>*1</sup> :	98*60*13mm 3.858*2.362*0.512in
RF Connectors:	SMA Female
Mounting:	2-Φ3mm through-hole

[1] Exclude connectors.

### Environmental

Temperature:	-40~+85°C
--------------	-----------

### Outline Drawings



Unit: mm [in]  
 Tolerance: ±0.5mm [±0.2in]

### How To Order

**QHC8-900-1600-30-S**

Customization is available upon request.