

QHC8-3200-4000-10-S

3.2~4GHz, 10W

Features:

- * Broadband
- * High Power
- * Low Insertion Loss

Applications:

- * Amplifiers
- * Transmitter
- * Laboratory Test
- * Radar

Electrical

Frequency:	3.2~4GHz
Insertion Loss:	0.5dB max.
Amplitude Balance:	±0.6dB
Phase Balance:	180±5°
	180±4°@any 100MHz band
VSWR:	1.4 max.
Isolation:	18dB min.
Average Power:	10W max.
Impedance:	50Ω

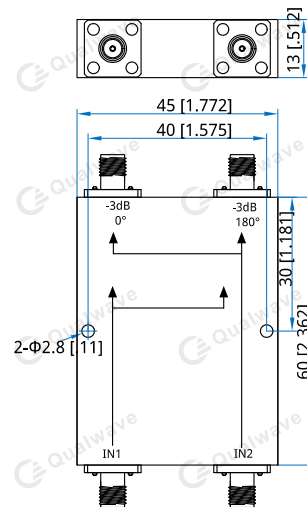
Mechanical

Size ^{*1} :	45*60*13mm
	1.772*2.362*0.512in
RF Connectors:	SMA Female
Mounting:	2-Φ2.8mm through-hole

[1] Exclude connectors.

Environmental

Temperature:	-40~+70°C
--------------	-----------

Outline Drawings


Unit: mm [in]

Tolerance: ±0.3mm [±0.012in]

How To Order

QHC8-3200-4000-10-S

Customization is available upon request.