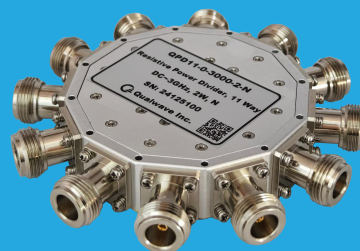


QPD11-0-3000-2

11-Way, DC~3GHz, 2W

Features:
 * Small Size
 * Low Insertion Loss

Applications:
 * Amplifiers
 * Mixers
 * Antennas
 * Laboratory Test



Electrical

Frequency:	DC~3GHz
Insertion Loss ^{*1} :	1.2dB max.
VSWR:	1.3 max.
Isolation:	20dB min.
Amplitude Balance:	±1.5dB
Phase Balance:	±30°
Impedance:	50Ω
Power @SUM Port:	2W max. as divider

[1] Excluding theoretical loss 20.8dB.

Mechanical

Connectors:	N Female SMA Female
Mounting:	12-Φ2.2mm through-hole

Environmental

Operation Temperature: -35~+75°C

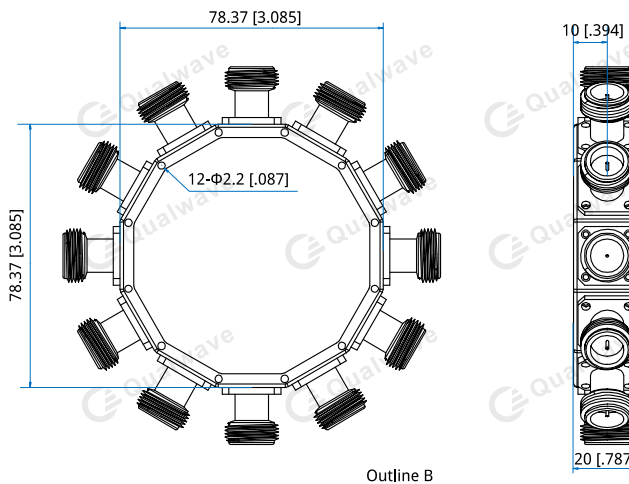
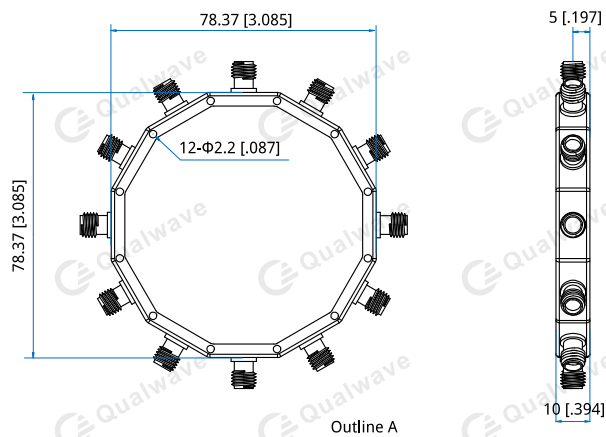
How To Order

[QPD11-0-3000-2-S](#) - Outline A

[QPD11-0-3000-2-N](#) - Outline B

Customization is available upon request.

Outline Drawings



Unit: mm [in]
 Tolerance: ±0.5mm [±0.02in]

Typical Performance Curves

N

